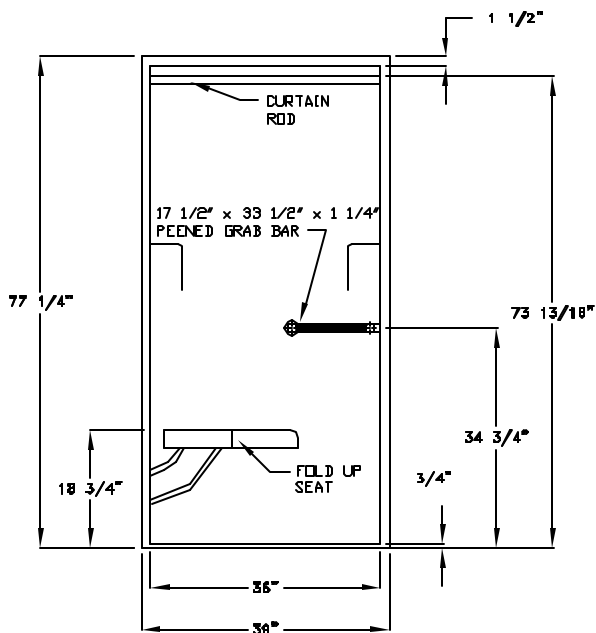


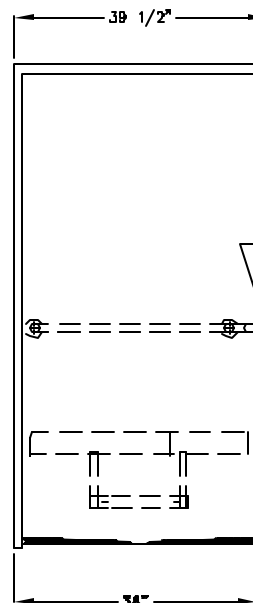
Special Needs Series

SUBMITTAL DATA

FRONT VIEW



SIDE VIEW



Transfer Shower Stall

The shower enclosure shall be Aquarius Model G 3698 BF right or left. Finished surface shall be of a sanitary-grade polyester Gelcoat exhibiting a minimal thickness of 15 dry mils, and a finished cured Barcol hardness of 80-90 as tested with ASTM D-2583. Unit construction shall be of molded reinforced fiberglass with a 15% minimum fiberglass content. The unit shall have outside dimensions of 38" x 39 1/2" x 77 1/4". The base shall be attached to the sump of the unit in such a manner to form an integral part with an inner and outer coating of reinforced polyester resin. The unit shall meet ANSI 124.2, ANSI 117.1, ADA, HUD, BOCA, NAHB, UPC, Mass. Code and shall meet the requirements of Southern Building Code.

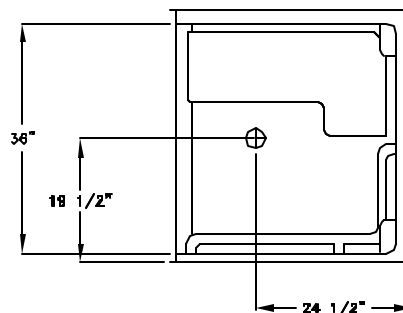
The enclosure shall be equipped with the following installed accessories:

- 1) one 17 1/2" x 33 1/2" peened wrap bar x 1 1/4" diameter, with 1 1/2" stroke clearance, mounted with stainless steel bolts and secured from the rear with a 3" x 3" x 11 gauge metal mounting plate,
- 2) 1" diameter 20 gauge stainless steel curtain rod,
- 3) factory installed fold up seat.

Available Options: 1) Hand held shower set (includes hand set, 60" flex hose, swivel connector, vacuum breaker, brass nipple, locknut, wall brackets and shower wall outlet), 2) Factory installed fold up seat, 3) 24" or 30" slide bar, 4) Pressure balance valve, 5) Green shower curtain, anti-bacterial, and hooks, 6) White shower curtain and hooks.

NOTE: THIS UNIT WILL NOT ACCEPT A DOOR!

TOP VIEW



DUE TO THE NATURE OF THE MATERIALS DIMENSIONS MAY VARY ± 1/2"

Job Name: G3698BF WITH A MODIFIED 3/4" THRESHHOLD

AQUARIUS

Model No.:

Drawing#:G369805

Approved by:

Date Approved:

Date:2-8-99

Revised: 6-18-04

Rep.:

Wholesaler:

Quote No.:

PRAXIS INDUSTRIES,LLC.
 ROUTE 1, BOX 46D - SAVANNAH, TN 38372
 1 (800) 443-7269 - FAX (731) 925-4290