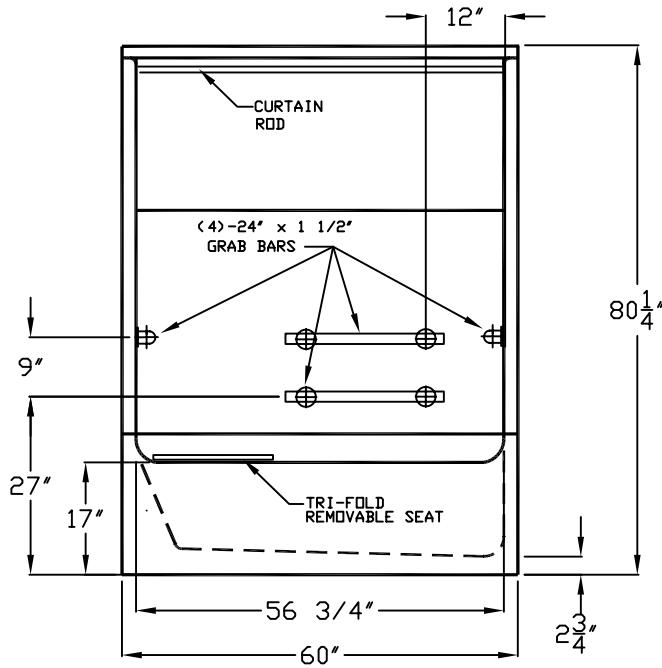


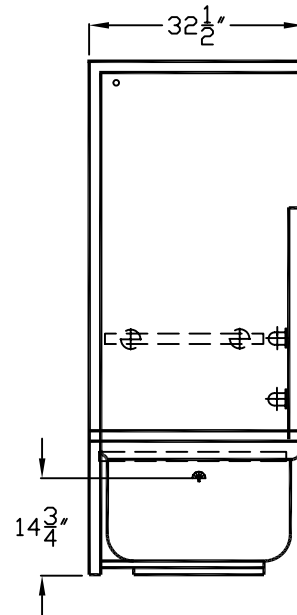
Special Needs Series

SUBMITTAL DATA

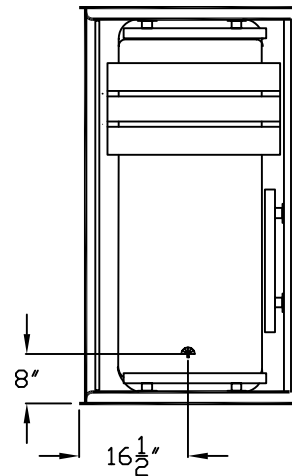
FRONT VIEW



SIDE VIEW



TOP VIEW



DUE TO THE NATURE OF THE MATERIALS
DIMENSIONS MAY VARY ± 1/2"

Job Name:

AQUARIUS

Model No.: G6017FB TP MODIFIED WITH TRI-FOLD REMOVABLE SEAT & 1 1/2" DIAMETER GRAB BARS

Drawing#: G6017FB1

Approved by:

Date Approved:

Date: 7-19-96 Revised: 1-9-06

Rep.:

Wholesaler:

Quote No.:

PRAXIS INDUSTRIES, LLC.
435 INDUSTRIAL RD - SAVANNAH, TN 38372
1 (800) 443-7269 - FAX (731) 925-4290