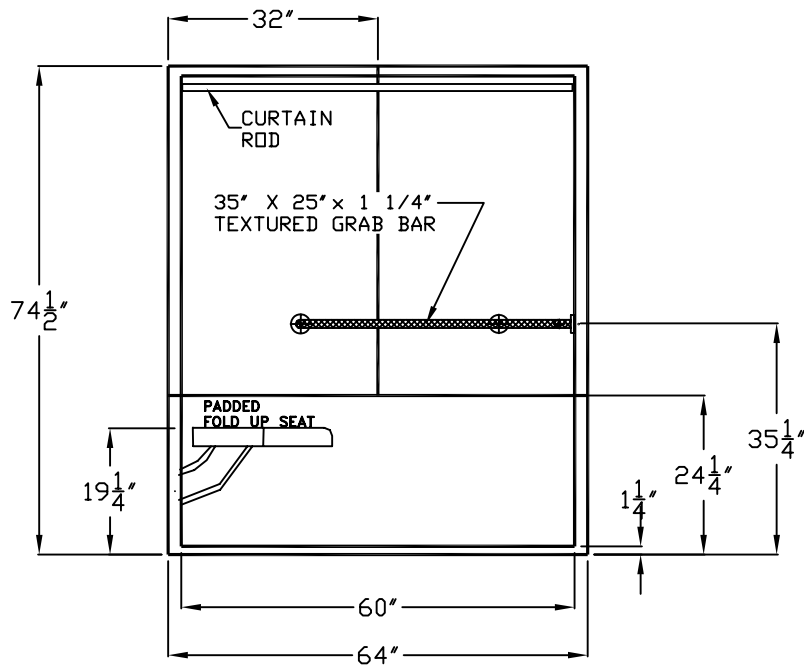


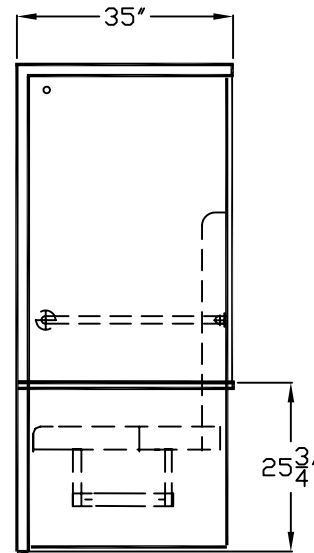
Special Needs Series

SUBMITTAL DATA

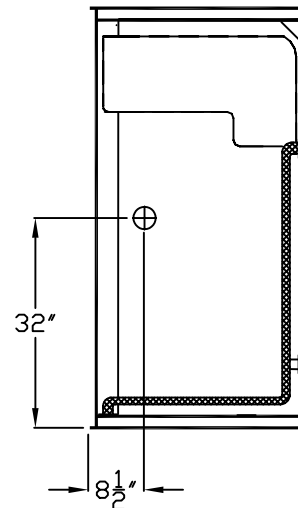
FRONT VIEW



SIDE VIEW



TOP VIEW



DUE TO THE NATURE OF THE MATERIALS
DIMENSIONS MAY VARY ± 1/2"

Job Name:

AQUARIUS

Model No.: G 6037 THREE PIECE WITH A PADDED FOLD UP SEAT, 1 1/4" THRESHOLD, AND STAINLESS STEEL TEXTURED L-SHAPED GRAB BAR

Drawing#: G6037BF4

Approved by:

Date Approved:

Date: 8-13-96 Revised: 1-9-06

Rep.:

Wholesaler:

Quote No.:

PRAXIS INDUSTRIES, LLC.
435 INDUSTRIAL RD - SAVANNAH, TN 38372
1 (800) 443-7269 - FAX (731) 925-4290