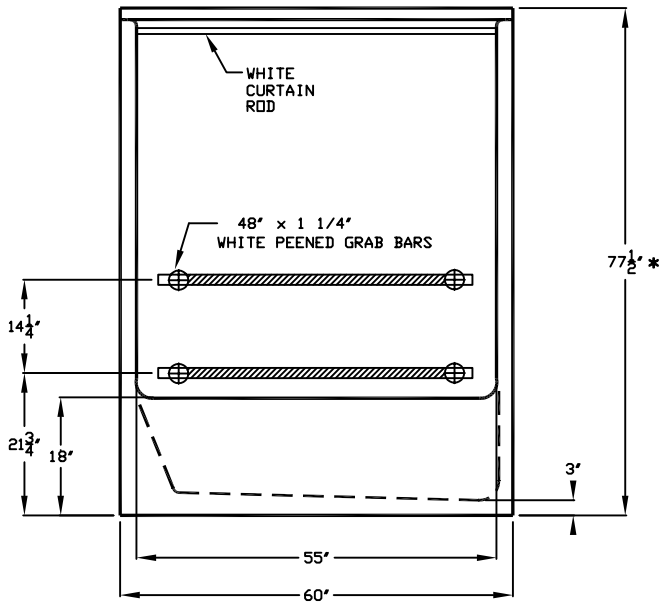


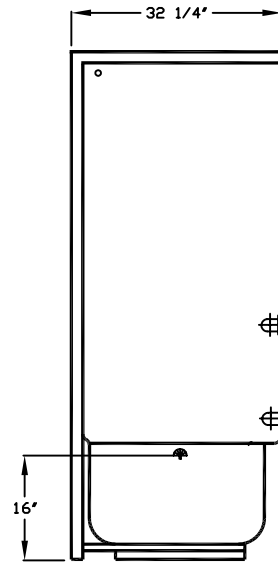
# Special Needs Series

SUBMITTAL DATA ©2001

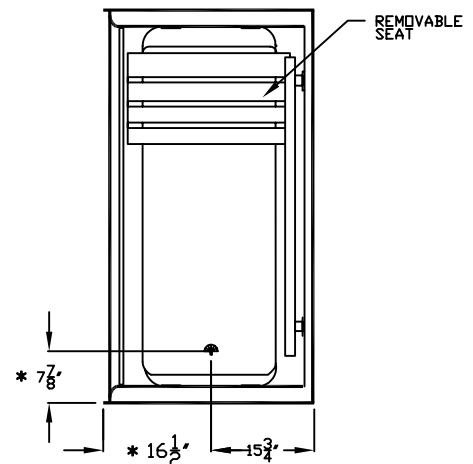
FRONT VIEW



SIDE VIEW



TOP VIEW



## Accessible Tub Shower

The shower enclosure shall be Aquarius Model G 6092 TS right or left. Finished surface shall be of a sanitary-grade polyester Gelcoat exhibiting a minimal thickness of 15 dry mils, and a finished cured Barcol hardness of 80-90 as tested with ASTM D-2583. Unit construction shall be of molded reinforced fiberglass with a 15% minimum fiberglass content. The unit shall have outside dimensions of 60" x 32 1/4" x 77 1/2". The base shall be attached to the sump of the unit in such a manner to form an integral part with an inner and outer coating of reinforced polyester resin. The unit shall meet ANSI 124.1, BOCA, NAHB, UPC, and shall meet the requirements of Southern Building Code.

- The enclosure shall be equipped with the following installed accessories:
- 1) two 48" x 1 1/4" white peened bars, on the back wall, with 1 1/2" statute clearance, mounted with stainless steel bolts and secured with a 3" x 3" x 11 gauge metal mounting plate
  - 2) one 1" diameter 20 gauge stainless steel curtain rod, 3) removable seat.

Available Options: 1) Hand held shower set (Includes: hand set, 60" flex hose, swivel connector, vacuum breaker, brass nipple, locknut, wall brackets and shower wall outlet), 2) Factory installed fold up seat, 3) 24" or 30" slide bar, 4) Pressure balance valve, 5) Green shower curtain, anti-bacterial, and hooks, 6) White shower curtain and hooks.

\* CHANGED DIMENSIONS ON ALL PROJECTS SHIPPING AFTER 5-1-02

DUE TO THE NATURE OF THE MATERIALS DIMENSIONS MAY VARY ± 1/2"

Job Name:		<b>AQUARIUS</b>	
Model No.:G6092TS MASS SPECIAL MODIFIED WITH TWO 48" x 1 1/4" WHITE PEENED GRAB BARS, SS CURTAIN ROD, & A REMOVABLE SEAT.		Drawing#:G6092TS03	
Approved by:	Date Approved:	Date: 7-19-96 Revised: 3-12-03	
Rep.:	Wholesaler:	Quote No.:	

PRAXIS INDUSTRIES, LLC.  
 ROUTE 1, BOX 46D - SAVANNAH, TN 38372  
 1 (800) 443-7269 - FAX (731) 925-4290