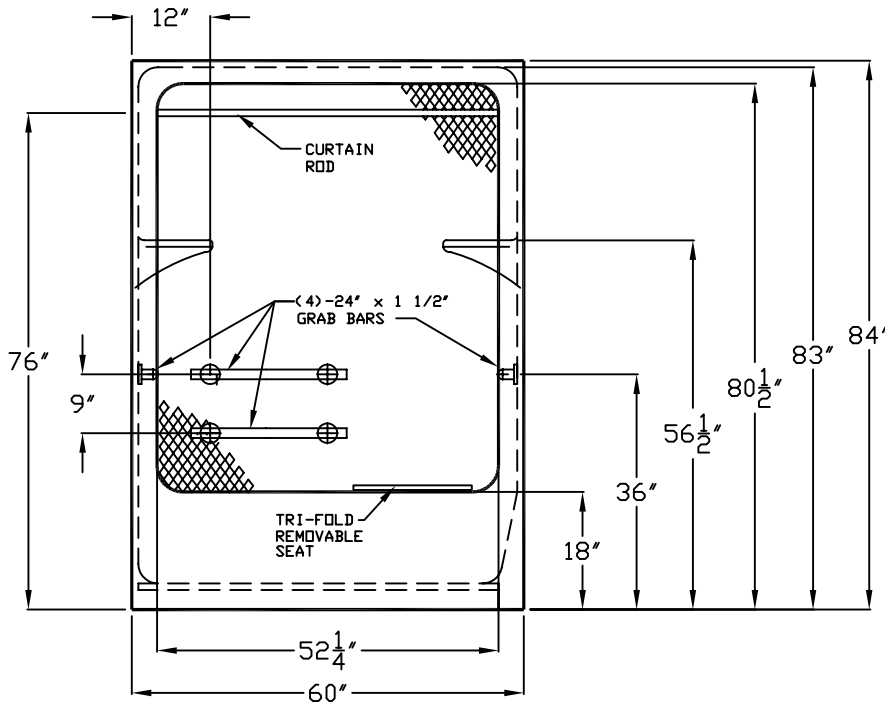


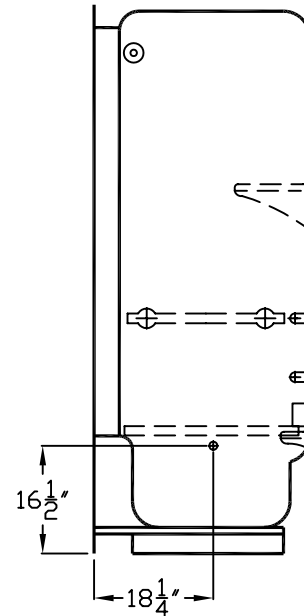
Special Needs Series

SUBMITTAL DATA

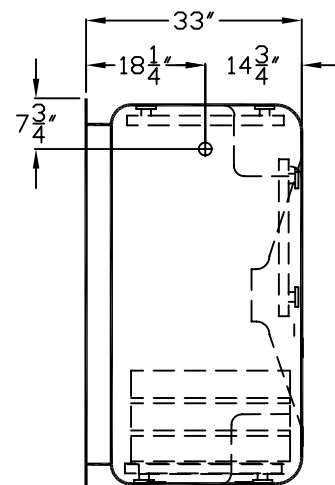
FRONT VIEW



SIDE VIEW



TOP VIEW



NOTE:
ROUGH IN DIMENSIONS: 59" x 34" x 84"

DUE TO THE NATURE OF THE MATERIALS INVOLVED, UNIT DIMENSIONS MAY VARY ±1/2 INCH.

Job Name:

AQUARIUS

Model No.: S6032TS MODIFIED WITH A TRI-FOLD REMOVABLE SEAT

Drawing#: S603258

Approved by:

Date Approved:

Date: 7-18-96 Revised: 1-10-06

Rep.:

Wholesaler:

Quote No.:

PRAXIS INDUSTRIES, LLC.
435 INDUSTRIAL RD - SAVANNAH, TN 38372
1 (800) 443-7269 - FAX (731) 925-4290