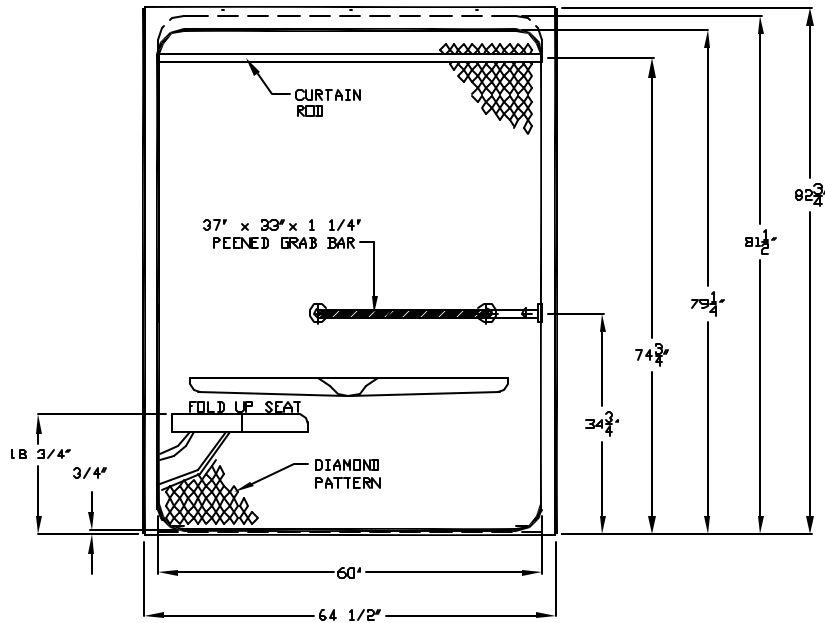


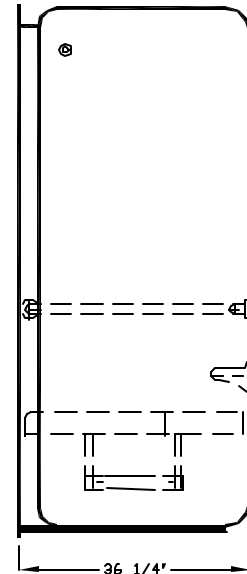
Special Needs Series

SUBMITTAL DATA

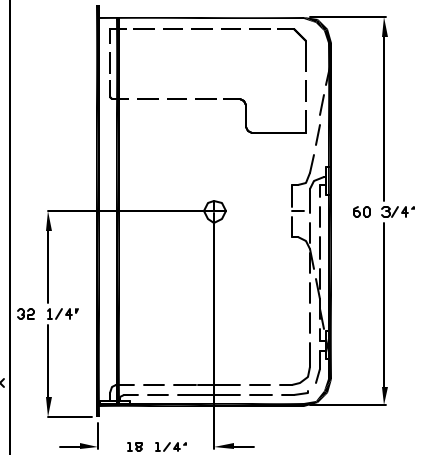
FRONT VIEW



SIDE VIEW



TOP VIEW



Roll-In Shower Stall

This shower enclosure shall be Aquarius Model S 6436 BF molded acrylic. The unit shall be molded from a single sheet of acrylic so as not to have any seams or joints. It shall meet ANSI A117.1 and ANSI 124.2, shall have the backside fire rating of "A" and a flame spread of less than 25, shall be designed to meet ADA, FHA, HUD, BOCA, NAHB, UPC and shall meet the requirements of most state and national standards on design for the disabled including Southern Building Code and Massachusetts Code. The unit shall have inside dimensions of 60" x 36" x 80 1/2" and the outside dimensions of 64 1/2" x 36 1/4" x 82 3/4".

This enclosure has an optional factory installed fold up seat (which complies with ADA) 18" above the shower floor in an L-shape. There shall be a molded soap tray placed in the center of the backwall.

The enclosure shall be equipped with the following factory installed accessories: 1) one 37" x 33" x 1 1/4" L-shaped, peened grab bar, mounted with stainless steel bolts secured from the rear with 3" x 3", 11 gauge metal backing plates, 2) 1" diameter 20 gauge stainless steel curtain rod, 3) self caulking brass drain with chrome strainer, 4) factory installed fold up seat, 5) 3/4" threshold.

Available options: 1) dome light, 2) hand held shower set (includes hand set, 60" flex hose, swivel connector, vacuum breaker, brass nipple, lock nut and shower wall outlet), 3) pressure balance valve, 4) green anti-bacterial shower curtain with hooks, 5) white shower curtain and hooks.

DUE TO THE NATURE OF THE MATERIALS INVOLVED, UNIT DIMENSIONS MAY VARY ± 1/2 INCH.

Job Name:

AQUARIUS

Model No.:

Drawing#: S643695

Approved by:

Date Approved:

Date: 10-27-99 Revised: 01-11-05

Rep.:

Wholesaler:

Quote No.:

PRAXIS INDUSTRIES, LLC.
ROUTE 1, BOX 46D - SAVANNAH, TN 38372
1 (800) 443-7269 - FAX (731) 925-4290