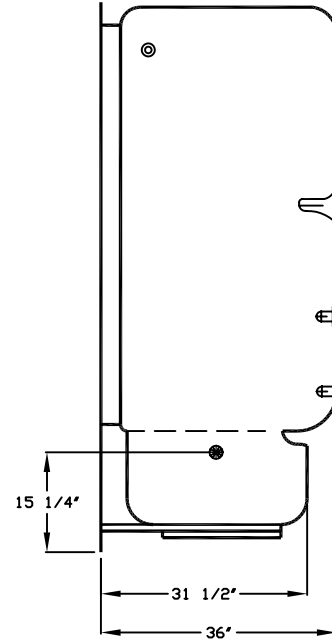
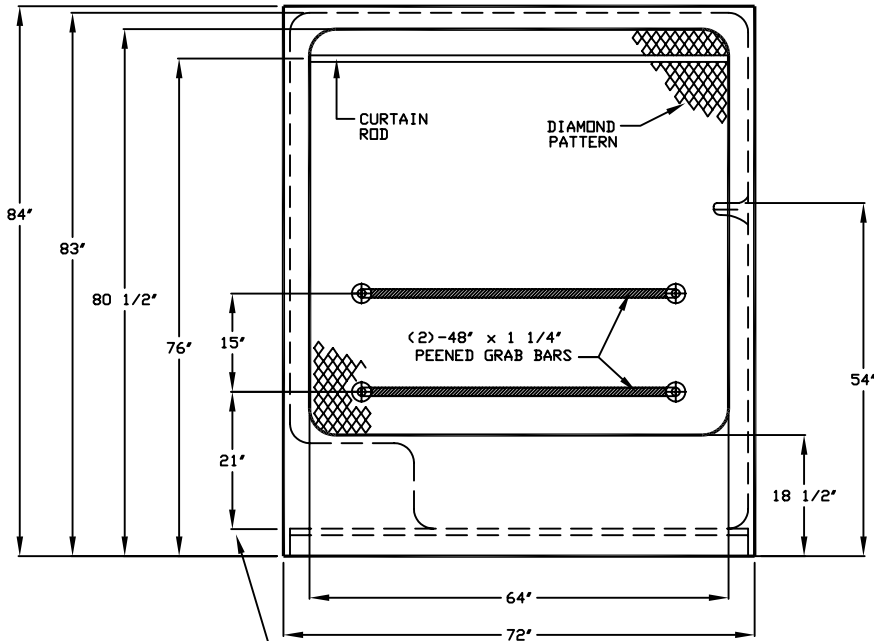


Special Needs Series

SUBMITTAL DATA

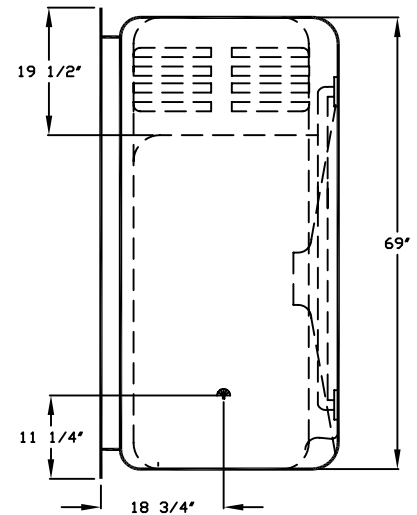
FRONT VIEW

SIDE VIEW



THE MEASUREMENT WILL BE TAKEN OFF OF THE INSIDE FLOOR DIMENSION.

TOP VIEW



NOTE:
ROUGH IN DIMENSIONS: 70" x 37" x 84"

DUE TO THE NATURE OF THE MATERIALS INVOLVED, UNIT DIMENSIONS MAY VARY ± 1/2 INCH.

Job Name:

AQUARIUS

Model No.:S7236TS MODIFIED WITH TWO 48" x 1 1/4" PEENED GRAB

BARS

Drawing#:S723607

Approved by:

Date Approved:

Date: 3-6-00

Revised:

Rep.:

Wholesaler:

Quote No.:

PRAXIS INDUSTRIES, LLC.
ROUTE 1, BOX 46D - SAVANNAH, TN 38372
1 (800) 443-7269 - FAX (731) 925-4290