

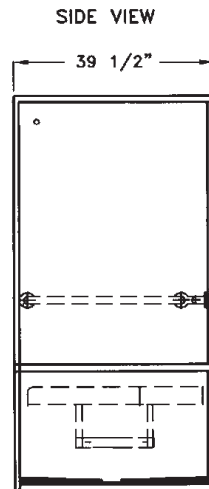
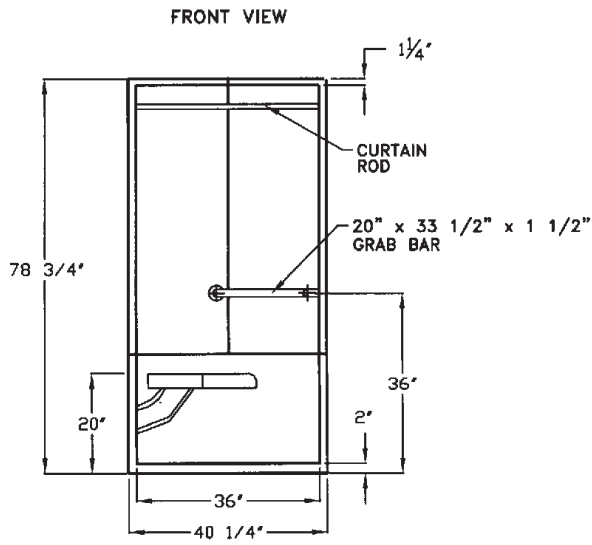
A) ADA TRANSFER SHOWERS
 GELCOAT SECTIONAL

A7

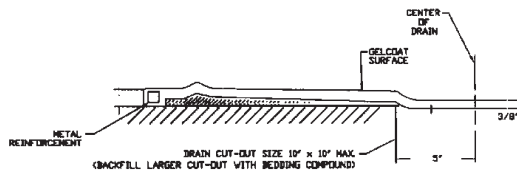
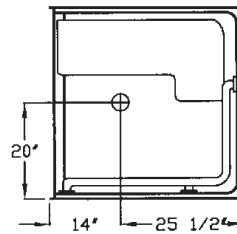
G 3637 BF

OD: 40.25"L x 39.5"W x 78.75"H,

ID: 36"L x 36"W



TOP VIEW



CROSS-SECTION OF THRESHOLD



Right Hand model shown in photograph.

ADA Compliant: This unit complies with all specifications of ADA for accessible bathware.

Special Notes: This unit complies with ANSI 124.1 and shall meet the requirements for Uniform Plumbing Code administered by IAPMO, HUD, BOCA, and SOUTHERN BUILDING CODE.

Warranty: Gelcoat models have a 3 year limited warranty. Acrylic models have a 5 year limited warranty. Pumps, parts, and accessories 1 year limited warranty. For further details please refer to the complete warranty section.

Due to the nature of the materials, dimensions may vary \pm 1/2".

Check product prior to installation.

Always caulk seams on sectional units. See Installation Instructions.



ISO 9002
 Certificate Number
 34158

Job Name: _____
 Model No.: **G 3637 BF**
 Approved by: _____ Date: _____
 Rep.: _____ Wholesaler: _____

Aquarius Bathware
 435 Industrial Road,
 Savannah, Tennessee 38372
 731.925.7656
 800.443.7269
 Fax: 731.925.4290



AQUARIUS BATHWARE™

A) ADA TRANSFER SHOWERS

GELCOAT SECTIONAL

A7**G 3637 BF**

OD: 40.25"L x 39.5"W x 78.75"H,

ID: 36"L x 36"W



ISO 9002
Certificate Number
34158

ADA Transfer Shower Stall

The shower enclosure shall be Aquarius Model G 3637 BF three piece right or left. Finished surface shall be of a sanitary grade polyester Gelcoat exhibiting a minimal thickness of 15 dry mils, and a finished cured Barcol hardness of 80-90 as tested with ASTM D-2583. Unit construction shall be of molded reinforced fiberglass with a minimum fiberglass content of 15%. The unit shall have the outside dimensions of 40 1/4" x 39 1/2" x 78 3/4". The base shall be attached to the sump of the unit in such a manner as to form an integral part with an inner and outer coating of reinforced polyester resin. The unit shall meet ANSI 124.2, ANSI 117.1, ADA, HUD, BOCA, NAHB, UPC, and shall meet the requirements of the Southern Building Code.

The enclosure shall be equipped with the following:

- 1) one 20" x 33 1/2" x 1 1/2" diameter bar, 18 gauge stainless steel grab bar with 1 1/2" safety statute clearance, mounted with stainless steel bolts secured from the rear with 3' x 3", 11 gauge mounting plates,
- 2) 1" diameter, 20 gauge stainless steel curtain rod,
- 3) factory installed padded fold up seat, 4) self caulking brass drain with chrome strainer, 5) 2" threshold.

Available options: 1) hand held shower set (includes: hand set, 60" flex hose, swivel connector, vacuum breaker, brass nipple, lock nut and shower wall outlet), 2) pressure balance valve, 3) 24" or 30" slide guide, 4) weighted or non-weighted flame retardant anti-bacterial curtains with hooks.

DUE TO THE NATURE OF THE MATERIALS
DIMENSIONS MAY VARY \pm 1/2"

**FOR A COMPLETE LISTING OF ACCESSORIES AND OPTIONAL FEATURES
AVAILABLE FOR THIS MODEL PLEASE REFER TO PAGE 6 IN THE
COMMERCIAL PRODUCT GUIDE BOOKLET.**



AQUARIUS
BATHWARE™

Aquarius Bathware
435 Industrial Road,
Savannah, Tennessee 38372
731.925.7656
800.443.7269
Fax: 731.925.4290

Job Name: _____

Model No.: **G 3637 BF**

Approved by: _____

Date: _____

Rep.: _____

Wholesaler: _____

WORLD LEADER IN ACCESSIBLE BATHWARE™

© 2003
Specifications subject
to change without notice.
AB120030005