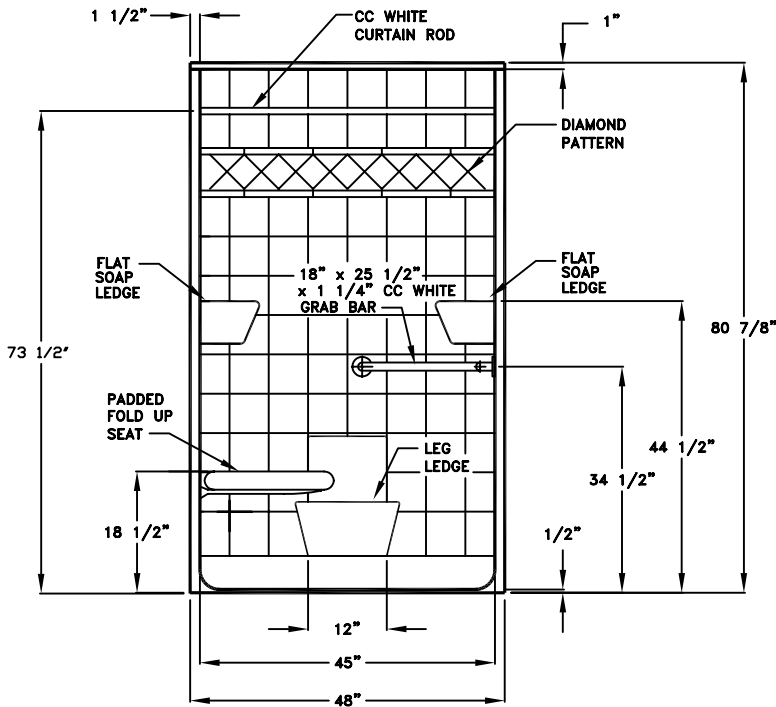


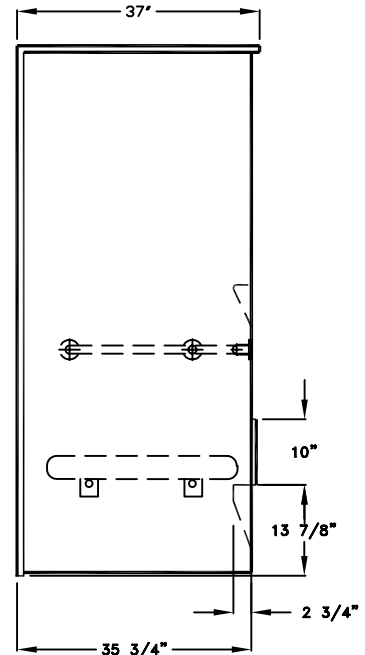
Comfort Series

SUBMITTAL DATA © 2003

FRONT VIEW



SIDE VIEW



Accessible Shower Stall

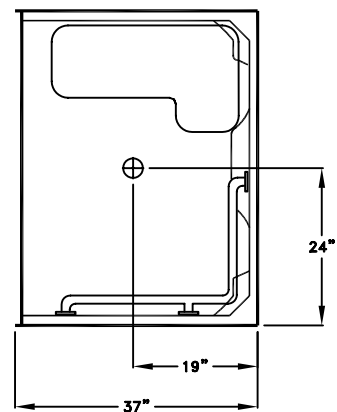
The shower enclosure shall be Comfort Designs XST4836BF.50 center, right or left. Finished surface shall be of a sanitary-grade polyester Gelcoat exhibiting a minimal thickness of 15 dry mills, and a finished cured Barcol hardness of 80-90 as tested with ASTM D-2583. Unit construction shall be of molded reinforced fiberglass with a 15% minimum fiberglass content. The unit shall have outside dimensions of 48" x 37" x 80 7/8". The base shall be attached to the sump of the unit in such a manner to form an integral part with an inner and outer coating of reinforced polyester resin. The unit shall meet ANSI 124.2, HUD, NAHB, UPC, and shall meet the requirements of Southern Building Code.

The enclosure shall be equipped with the following installed accessories:
1) one 18" x 25 1/4" x 1 1/2" CC white grab bar, 2) Padded fold up seat, 3) simulated 6" tile, 4) diamond tile accents, 5) two molded soap dishes in corners, 6) leg ledge, 7) 1/2" threshold, 8) CC white curtain rod.

Available Options: 1) hand held shower set (includes: hand set, 60" flex hose, swivel connector, vacuum breaker, brass nipple, locknut, wall brackets factory installed fold up seat, 3) 24" or 30" slide bar, 4) pressure balance valve, 5) green shower curtain, anti-bacterial, and hooks, 6) white shower curtain and hooks.

NOTE: THIS UNIT WILL NOT ACCEPT A DOOR.

TOP VIEW



DUE TO THE NATURE OF THE MATERIALS INVOLVED
UNIT DIMENSIONS MAY VARY ± 1/2 INCH

Job Name:

COMFORT DESIGNS

Model No.: XST4836BF.5 w/ 18" x 25 1/4" x 1 1/2" CC white grab bar,
Padded fold up seat, & CC white curtain rod.

Drawing#:XS4836KK

Approved by:

Date Approved:

Date:5-12-00 Revised: 10-03-03

Rep.:

Wholesaler:

Quote No.:

COMFORT DESIGNS
10700 SPRING RUN RD - CHESTERFIELD, VA 23832
(800) 801-2820 - FAX (804) 790-1364 - E-MAIL: comfortdesigns@comcast.net

Recyclable Paper