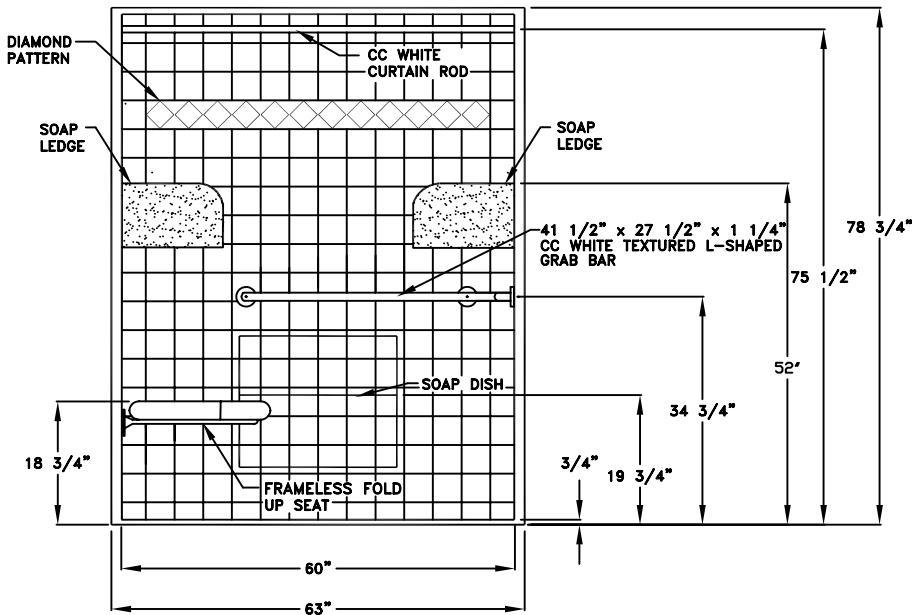


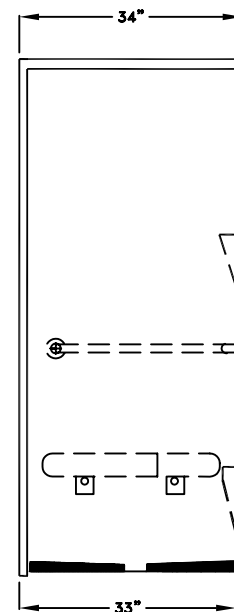
Comfort Series

SUBMITTAL DATA © 2003

FRONT VIEW



SIDE VIEW



Roll-In Shower Stall

The shower enclosure shall be Comfort Designs Model XST6333BFADA.75 center, right or left. Finished surface shall be of a sanitary-grade polyester Gelcoat exhibiting a minimal thickness of 15 dry mills, and a finished cured Barcol hardness of 80-90 as tested with ASTM D-2583. Unit construction shall be of molded reinforced fiberglass with a 15% minimum fiberglass content. The unit shall have outside dimensions of 63" x 34" x 78 3/4". The base shall be attached to the sump of the unit in such a manner to form and integral part with an inner and outer coating of reinforced polyester resin. The unit shall meet ANSI 117.1, ANSI 124.2, ADA, BOCA, NAHB, UPC, and shall meet the requirements of Southern Building Code.

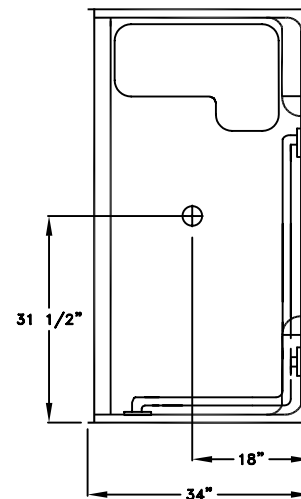
The enclosure shall be equipped with the following installed accessories:
 1) one 41 1/2" x 27 1/2" x 1 1/4" comfort care white textured grab bar with 1 1/2" statute clearance, mounted with stainless steel bolts and secured from the rear with a 3" x 3" x 11 gauge metal mounting plate, 2) factory installed frameless fold up seat, 3) with 3/4" threshold, 4) molded soap ledge, 5) molded soap dish, 6) tile finish, 7) 1" diameter comfort care white curtain rod.

THIS UNIT FEATURES THE OUTSIDE DIMENSIONS OF 63" OF OVERALL WIDTH. THIS DOES NOT ALLOW FOR FULL ENCLOSURE OF THE BOLTS THAT ARE USED TO SECURE THE BARS AND SEAT IN PLACE. THE BOLT AND NUT COMBINATION SHOULD NOT PROTRUDE ANY MORE THAN 3/4" ON EITHER SIDE.

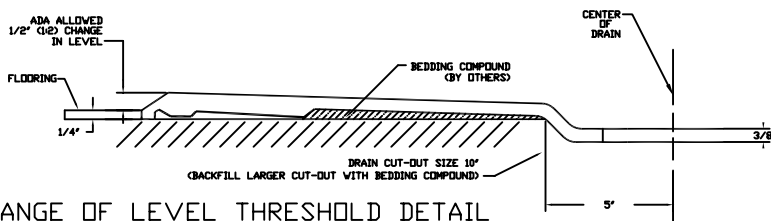
THIS SHOULD NOT CREATE ANY TYPE OF INSTALLATION PROBLEMS EXCEPT FOR A DRY WALL ENCLOSED FIRE WALL INSTALLATION AREA THAT WOULD NOT ALLOW FOR ANY VARIATIONS. IN A STANDARD STUD /OPENING INSTALLATION THE EXTENSION OF THE HARDWARE SHOULD NOT CAUSE ANY TYPE OF PROBLEM.

NOTE: THIS UNIT WILL NOT ACCEPT A DOOR!

TOP VIEW



DUE TO THE NATURE OF THE MATERIALS DIMENSIONS MAY VARY ± 1/2"



COMFORT DESIGNS

Quote No.: Drawing#:XS6333GGG

Date: 3-29-00 Revised: 5-2-05

Job: MASS CODE

COMFORT DESIGNS

10700 SPRINT RUN RD - CHESTERFIELD, VA 23832

(800) 801-2820 - FAX (804) 790-1364 - E-MAIL: comfortdesigns@comcast.net

Recyclable Paper