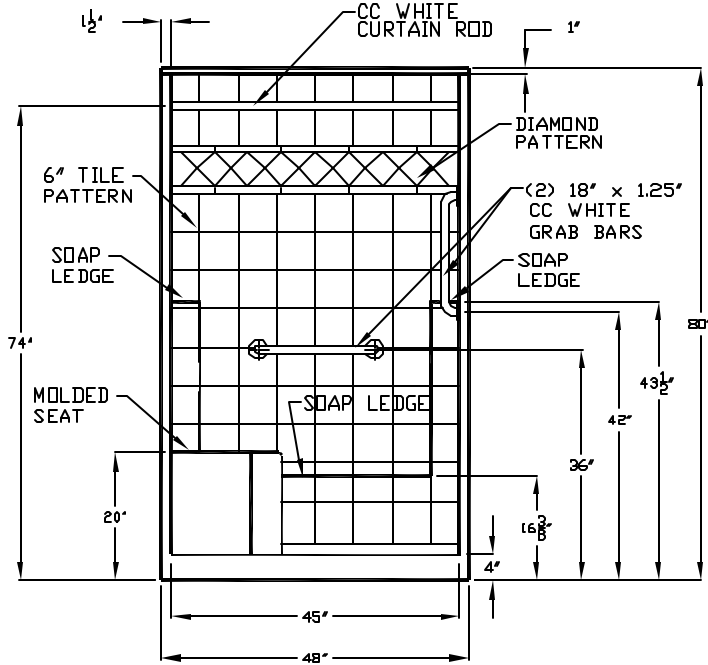


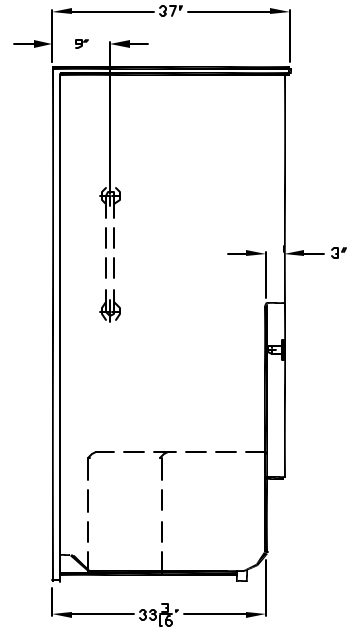
# Comfort Series

PRELIMINARY DRAWING © 2004

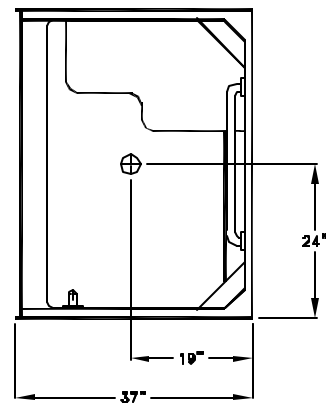
FRONT VIEW



SIDE VIEW  
OPPOSITE SEAT SIDE



TOP VIEW



NOTE: DIMENSIONS MAY VARY UPON THE COMPLETION OF THE MOLD.

DUE TO THE NATURE OF THE MATERIALS INVOLVED  
UNIT DIMENSIONS MAY VARY ± 1/2 INCH

Job Name:		COMFORT DESIGNS	
Model No.: XST3648SH4.0 with (2) 18" x 1.25" DD CC white grab bars, CC white curtain rod		Drawing#: XS3648SH4	
Approved by:	Date Approved:	Date: 5-10-04	Revised: 6-2-04
Rep.:	Wholesaler:	Quote No.:	

COMFORT DESIGNS  
 P.O. BOX 34279 - RICHMOND, VA 23234  
 (800) 801-2820 - FAX (804) 271-6013 - E-MAIL: [comfortdesigns@aol.com](mailto:comfortdesigns@aol.com)

Recyclable Paper