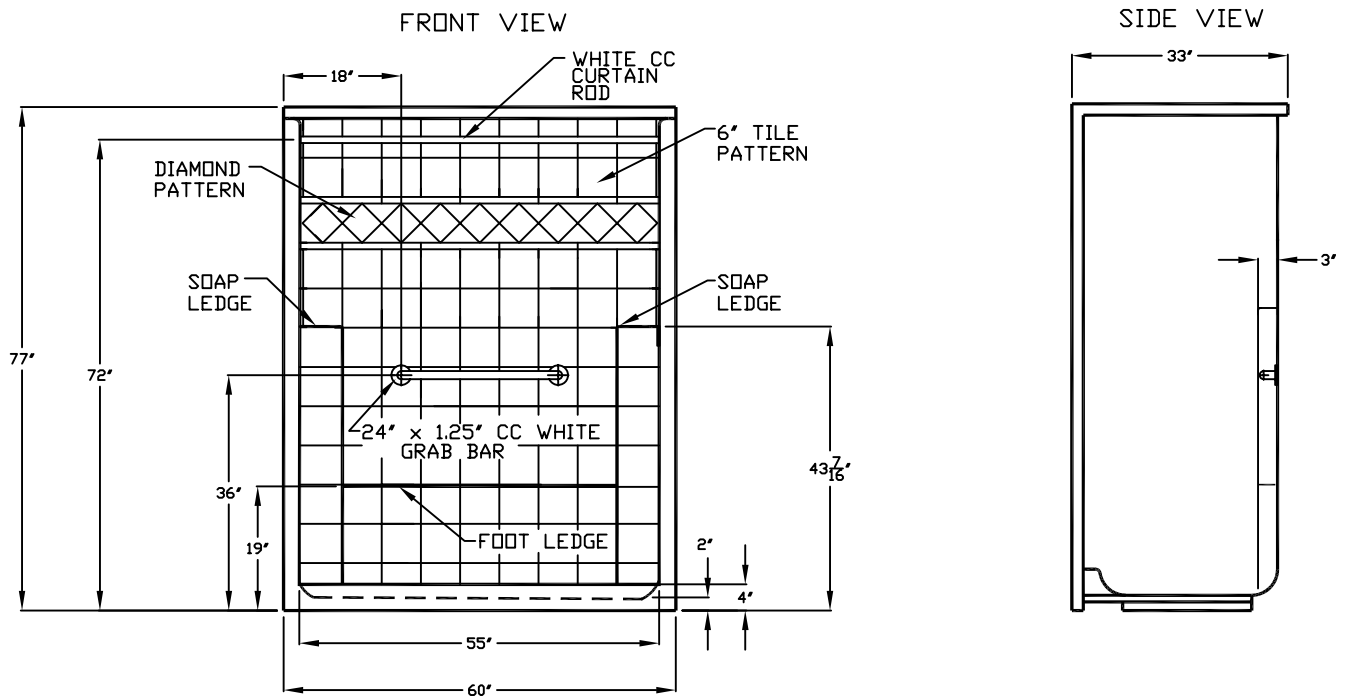


"Easy Living Series"

SUBMITTAL DATA © 2003



ACCESSIBLE SHOWER STALL

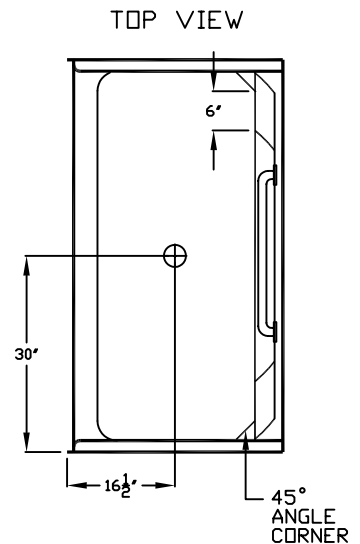
The shower enclosure shall be Comfort Designs Model XST6033SH4 center. Finished surface shall be of a sanitary-grade polyester Gelcoat exhibiting a minimal thickness of 15 dry mils and a finished cured Barcol hardness of 80-90 as tested with ASTM D-2583. Unit construction shall be of molded reinforced fiberglass with a 15% minimum fiberglass content. The unit shall have outside dimensions of 60" x 33" x 77". The base shall be attached to the sump of the unit in such a manner to form and integral part with an inner and outer coating of reinforced polyester resin. The unit shall meet ANSI 124.2, BOCA, NAHB, UPC, and shall meet the requirements of Southern Building Code.

The enclosure shall be equipped with the following installed accessories:

- 1) 24" x 1.25" CC white grab bar with 1 1/2" statute clearance, mounted with stainless steel bolts & secured from the rear with a 3" x 3" x 11 gauge metal mounting plate,
- 2) 4" low fixed threshold, 3) Simulated tile walls, 4) white comfort care curtain rod.

THIS UNIT FEATURES THE OUTSIDE DIMENSIONS OF 60" OF OVERALL WIDTH. THIS DOES NOT ALLOW FOR FULL ENCLOSURE OF THE BOLTS THAT ARE USED TO SECURE THE BARS AND SEAT IN PLACE. THE BOLT AND NUT COMBINATION SHOULD NOT PROTRUDE ANY MORE THAN 3/4" ON EITHER SIDE.

THIS SHOULD NOT CREATE ANY TYPE OF INSTALLATION PROBLEMS EXCEPT FOR A DRY WALL ENCLOSED FIRE WALL INSTALLATION AREA THAT WOULD NOT ALLOW FOR ANY VARIATIONS. IN A STANDARD STUD / OPENING INSTALLATION THE EXTENSION OF THE HARDWARE SHOULD NOT CAUSE ANY TYPE OF PROBLEM.



DUE TO THE NATURE OF THE MATERIALS DIMENSIONS MAY VARY ± 1/2"

Job Name: GEORGE OBRIEN CO.		COMFORT DESIGNS	
Model No.: XST6033SH MODIFIED WITH ONE 24" x 1 1/4" CC WHITE GRAB BAR & WHITE COMFORT CARE CURTAIN ROD.		Drawing#: XST6033F	
Approved by:	Date Approved:	Date: 6-14-01	Revised: 5-2-05
Rep.:	Wholesaler:	Quote No.:	
COMFORT DESIGNS 10700 SPRING RUN RD - CHESTERFIELD, VA 23832 (800) 801-2820 - FAX (804) 790-1364 - E-MAIL: comfortdesigns@comcast.net		Recyclable Paper	